

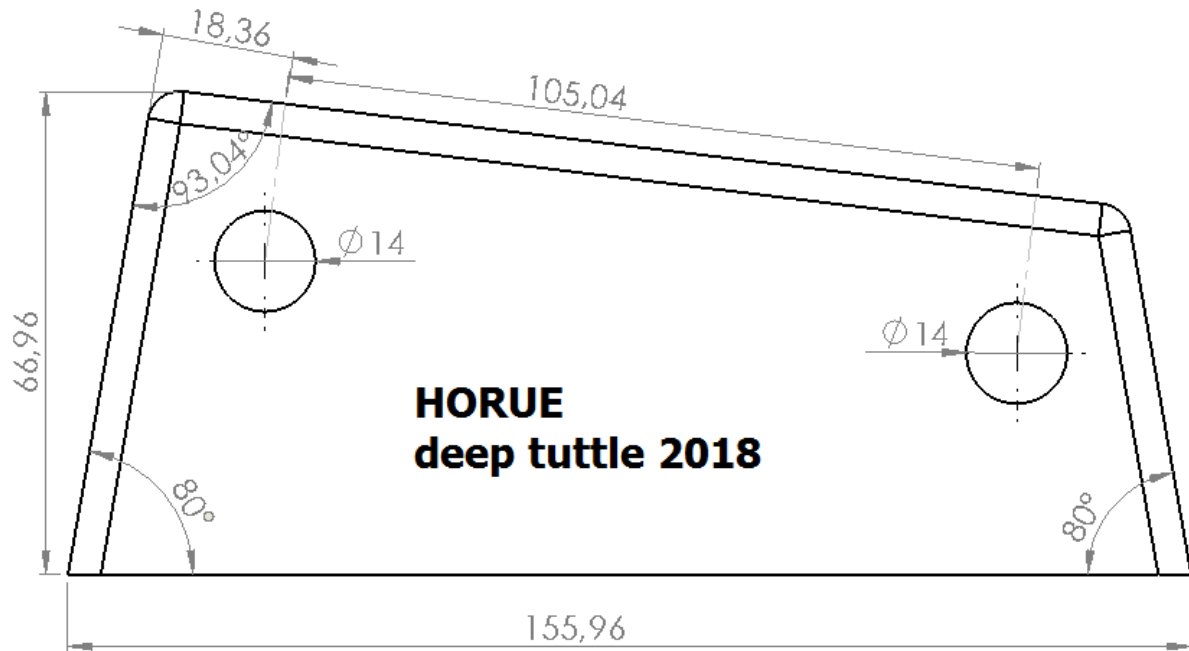
Tuttle – Deep Tuttle dimensions – Kf-box

GP 2016 – Vini 2016 – Vini 2017 – Vini Pro 2018 – H10 evo – H13 – H14

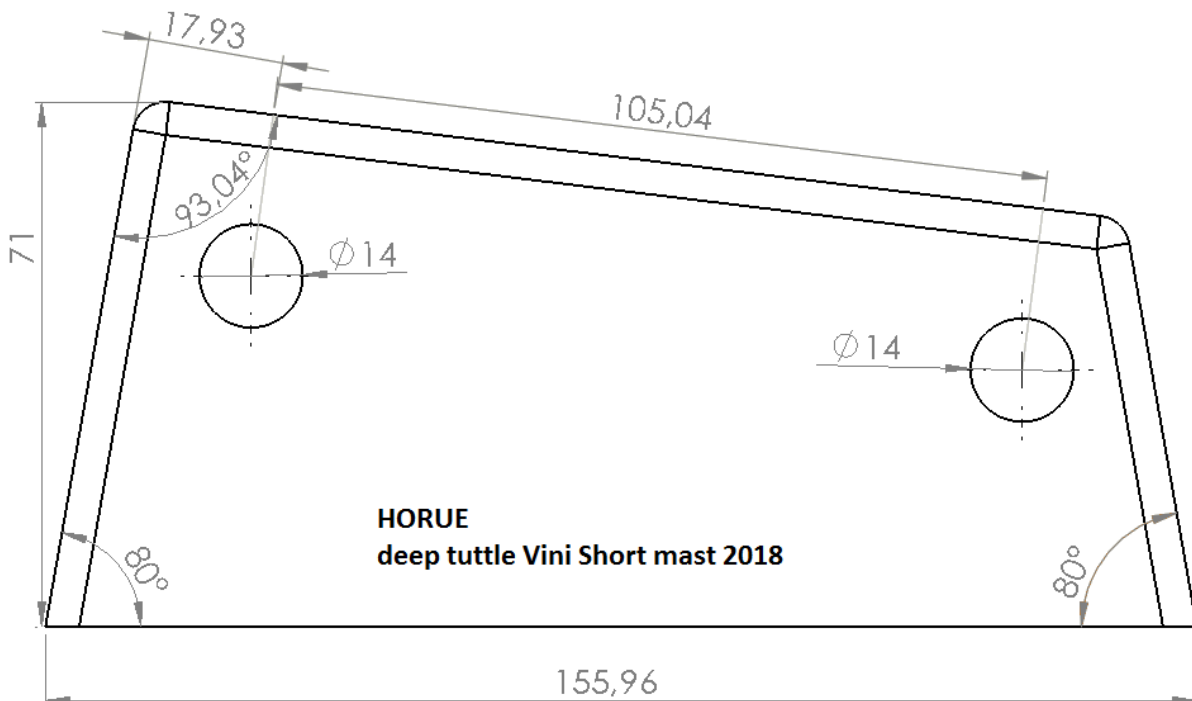
All measurements are in millimeters and in degree.

Thickness of the tuttle and deep tuttle box is 16mm(+0/-0.1).

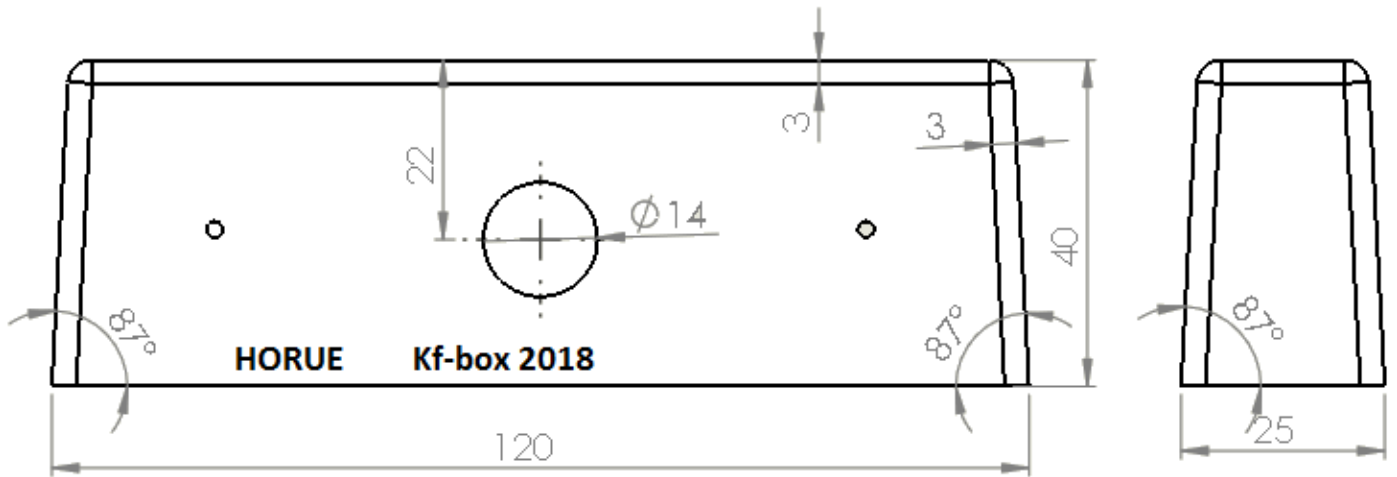
Round chamfer (4.5mm radius) on all edges except on the bottom (except Kf box).



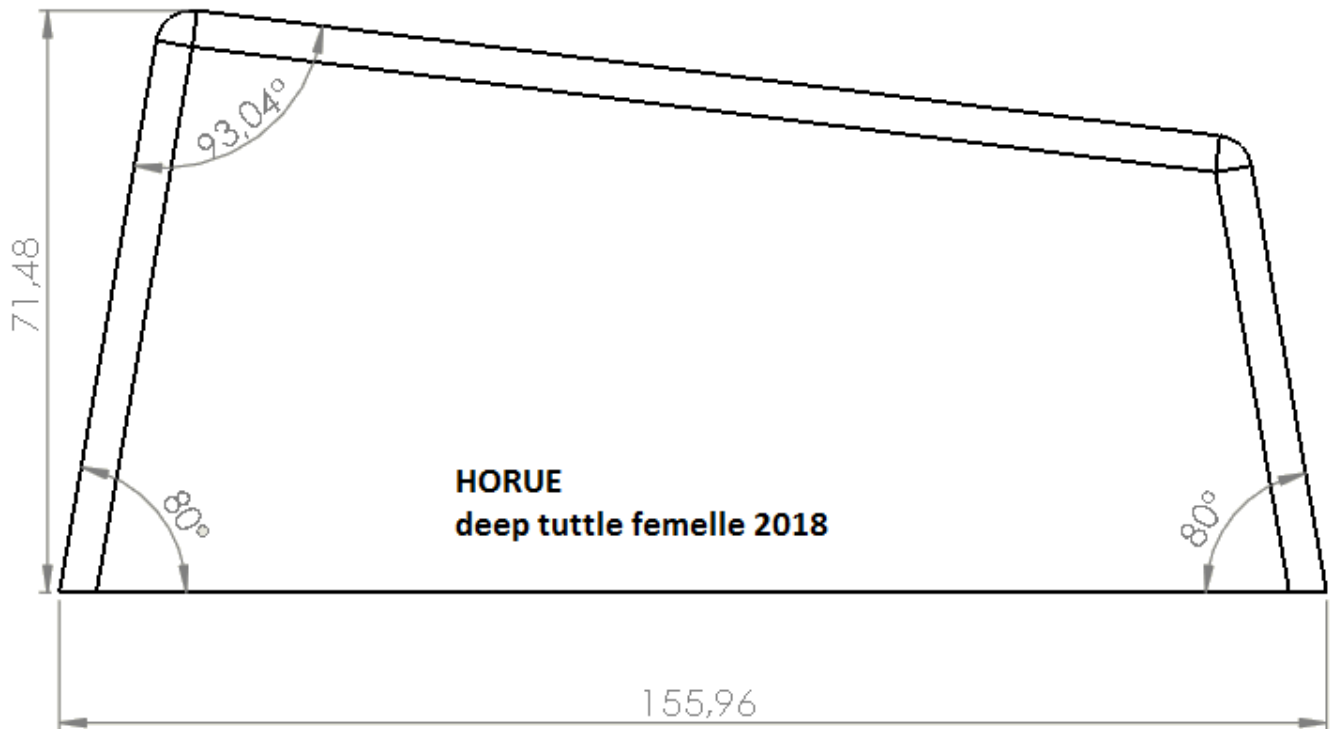
Deep Tuttle Box on Horue hydrofoil (All model except Vini short mast)



Deep Tuttle Box on Horue Vini Short mast



Kf-Box on Horue hydrofoil



Deep Tuttle female box on Horue board